



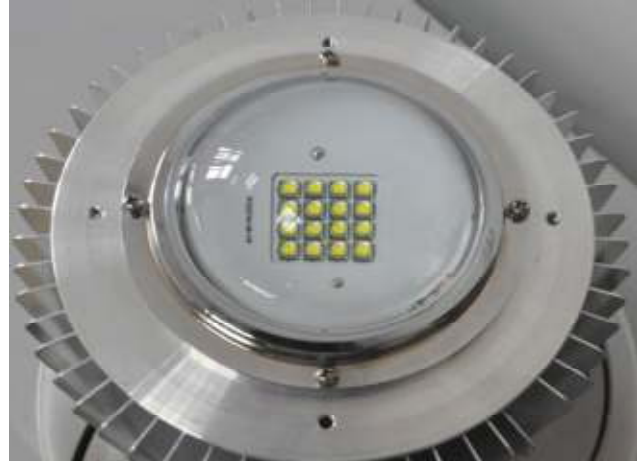
# UFO High Bay



**6880-M16-CR5100**

UFO-M16 High Bay Light 10000LM 100W CR5

The U-Tron UFO series High-Bay lights designed to replace the traditional factory, warehouses and sport arenas High Bay lights using HPS, HID and other decadent technologies. UFO light fixtures can fit in the existing same locations and produce the same light intensity and distribution so the customers can easily take the old one out and put in our UFO Bay Lights.



## Product Technical Data

### General Informaion

Heatsink	6063-T5 aluminum alloy
Life Span	50000hr

### Product Dimensions

Lamp Diameter	495mm
Lamp Height	419mm

### Light Characteristics

Efficacy	100lm/W
Beam Angle	90, 120
CCT	4000-5500K
Flux	10000lm
	80
Color Rending Index	

### Ordering Information

Product Number	6880-M16-CR5100
Product Name	UFO High Bay 100W
Product Ordering Name	UFO-M20 High Bay 10000lm 100W CR5

### Electrical Characteristics

Wattage	100W
Voltage	universal
Power Factor	0.937

Pieces Per Pack	1
Packs Per Carton	1
Net Weight Per Piece	5.5Kg

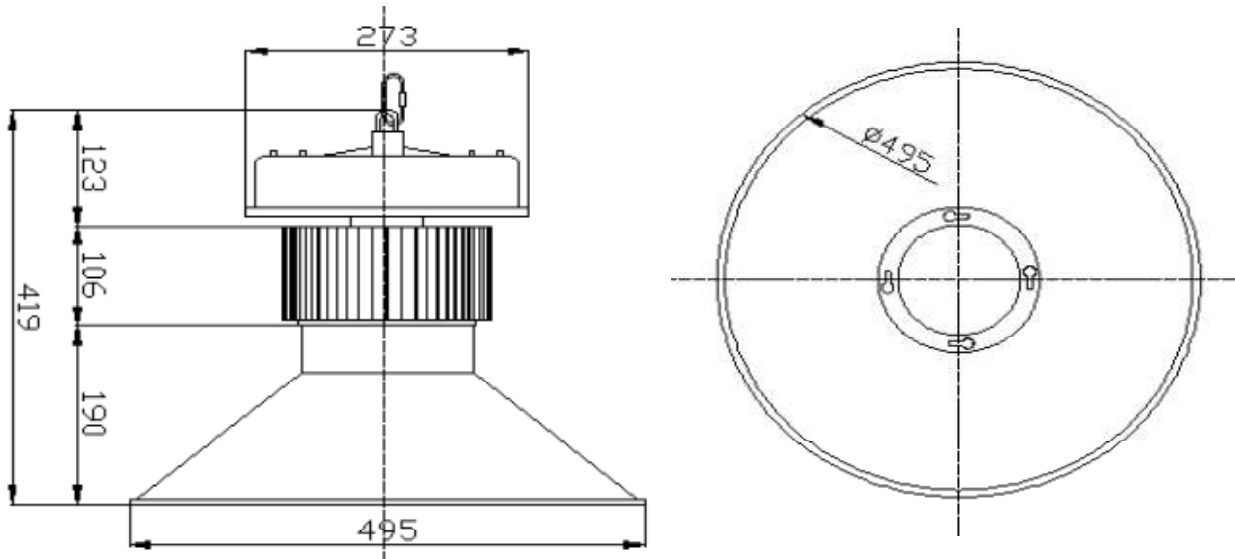
### Temperature

Operating Temp.	-40(min), 45(max)C
Storage	-40(min), 45(max)C

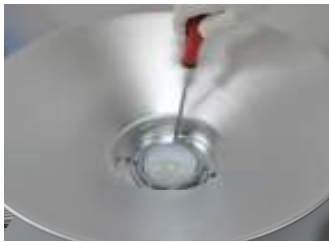
[www.u-tron.com](http://www.u-tron.com)



Technical Drawing



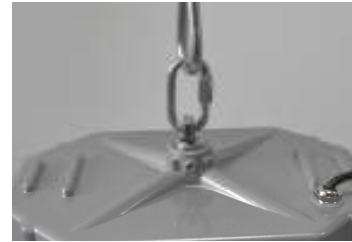
Installation



1



2



3

1. Put the reflector cover on the heatsink by using four screw
2. By the use of C-bolt hook loosen it first then insert it into a chain or cable wire to hang it.
3. After the light is already hanged then tighten the bolt to make it safe.

Wiring Diagram

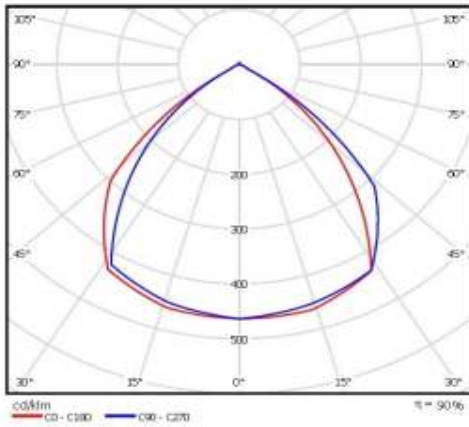


White = Neutral

Green = Ground

Black = Live

Technical Data



Light Distribution

Illuminance at a Distance			
	Center Beam LUX	Beam Width	
1.2m	<b>3,804.35 LUX</b>	<b>2.2m</b>	<b>2.3m</b>
2.3m	<b>951.09 LUX</b>	<b>4.4m</b>	<b>4.6m</b>
3.5m	<b>422.71 LUX</b>	<b>6.6m</b>	<b>6.9m</b>
4.7m	<b>237.77 LUX</b>	<b>8.8m</b>	<b>9.1m</b>
5.8m	<b>152.17 LUX</b>	<b>11.0m</b>	<b>11.4m</b>
7.0m	<b>105.68 LUX</b>	<b>13.3m</b>	<b>13.7m</b>

■ Vert. Spread: 86.9°    ■ Horiz. Spread: 88.8°

Illuminance @ a distance

Hook Options



A=Twist Lock Hook



B= Eye Bolt



C=Open Eye Bolt

©2013 U-Tron (Beijing) Electronics Co., LTD  
 All rights reserved  
 Specifications are subject to change without notice

15-Sep-13  
 data subject to change

